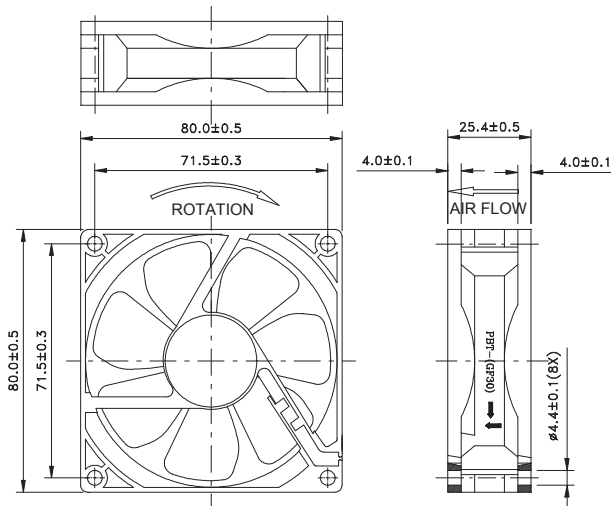
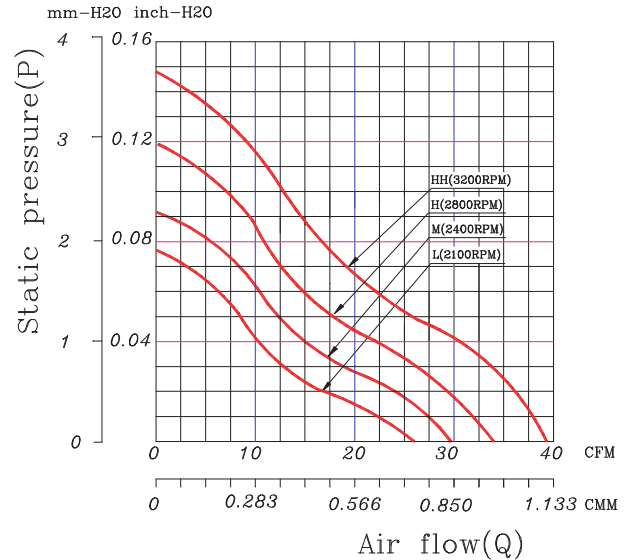


Dimensions



Performance Curves



Air exhaust over struts. Rotational direction CCW looking at rotor.

Brushless DC Motor	Bearing Type
Weight: 70g Impedance protected Lead wire UL 1007 AWG 24	Ceramic

* All fans are with electronic protection against reverse polarity. The fan only operates when the polarity is correct.

Function Options	
● Frequency Generator	● Auto Restart
● Temperature Control	● Rotation Detection

- * Please contact us for PWM function availability.
- * Please contact us for IP55 availability.
- * Safety Approval: CE, UL, TUV

Specifications

Model	Rated Voltage (VDC)	Rated Current (Amp)	Input Power (Watts)	Nominal Speed (RPM)	Airflow (CFM)	Static Pressure (inch -H ₂ O)	Noise Level (dBA)
FAN8025C12HH	12	0.28	3.36	3200	40.61	0.14	32.50
FAN8025C12H	12	0.17	2.04	2800	35.45	0.11	29.00
FAN8025C12M	12	0.13	1.56	2400	30.19	0.09	23.00
FAN8025C12L	12	0.09	1.08	2100	26.20	0.06	22.00
FAN8025C24HH	24	0.16	3.84	3200	40.61	0.14	32.50
FAN8025C24H	24	0.13	3.12	2800	35.45	0.11	29.00
FAN8025C24M	24	0.11	2.64	2400	30.19	0.09	23.00
FAN8025C24L	24	0.09	2.16	2100	26.20	0.06	22.00

* Specifications are subject to change without prior notice.

* Check with your distributor for models available.