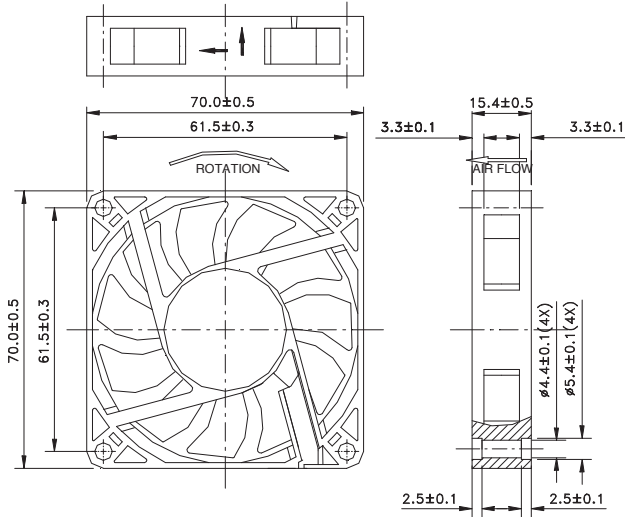
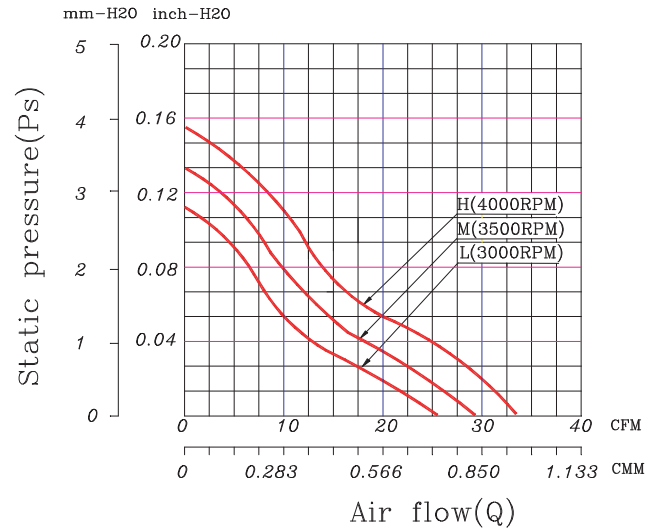


Dimensions



Performance Curves



Air exhaust over struts. Rotational direction CCW looking at rotor.

| Brushless DC Motor | Bearing Type |
|--|--------------|
| Weight: 55g Impedance protected Lead wire UL 1007 AWG 24 | Ceramic |

* All fans are with electronic protection against reverse polarity. The fan only operates when the polarity is correct.

| Function Options | |
|-----------------------|----------------------|
| ● Frequency Generator | ● Auto Restart |
| ● Temperature Control | ● Rotation Detection |

* Please contact us for PWM function availability.

* Please contact us for IP55 availability.

* Safety Approval: CE, UL, TUV

Specifications

| Model | Rated Voltage (VDC) | Rated Current (Amp) | Input Power (Watts) | Nominal Speed (RPM) | Airflow (CFM) | Static Pressure (inch -H2O) | Noise Level (dBA) |
|-------------|---------------------|---------------------|---------------------|---------------------|---------------|-----------------------------|-------------------|
| FAN7015C12H | 12 | 0.23 | 2.76 | 4000 | 33.20 | 0.15 | 35.00 |
| FAN7015C12M | 12 | 0.16 | 1.92 | 3500 | 29.10 | 0.13 | 32.00 |
| FAN7015C12L | 12 | 0.11 | 1.32 | 3000 | 25.00 | 0.11 | 28.00 |
| FAN7015C24H | 24 | 0.16 | 3.84 | 4000 | 33.20 | 0.15 | 35.00 |
| FAN7015C24M | 24 | 0.12 | 2.88 | 3500 | 29.10 | 0.13 | 32.00 |
| FAN7015C24L | 24 | 0.09 | 2.16 | 3000 | 25.00 | 0.11 | 28.00 |
| | | | | | | | |
| | | | | | | | |

* Specifications are subject to change without prior notice.

* Check with your distributor for models available.