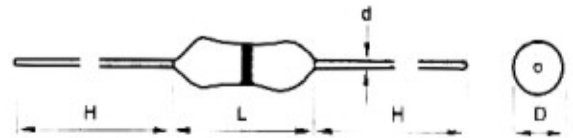


### 製品介紹 INTRODUCTION

Z 零歐姆電阻器，

Z, Zero ohm resistors, is usable jumper wire on PCB and applicable for automatic insertion machine.

### 形狀 STYLE



### 尺寸 DIMENSIONS

| 形名<br>Type | 尺寸 DIMENSIONS |         |          |      | 額定功率<br>Power Rating | 電阻值<br>Resistance | 最大容許電流<br>Max. Current | 額定周圍溫度<br>Rating Ambient Temp. | 使用溫度範圍<br>Operating Temp. Range |
|------------|---------------|---------|----------|------|----------------------|-------------------|------------------------|--------------------------------|---------------------------------|
|            | L             | D       | d        | H    |                      |                   |                        |                                |                                 |
| Z1/6W      | 3.2±0.2       | 1.8±0.2 | 0.5±0.05 | 28±3 | 0.16W <              | 20mΩ              | 1.5A                   | 70°C                           | -55°C~155°C                     |
| Z1/4W      | 6.5±0.5       | 2.3±0.3 | 0.6±0.05 | 28±3 | 0.25W <              | 20mΩ              | 2.5A                   |                                |                                 |

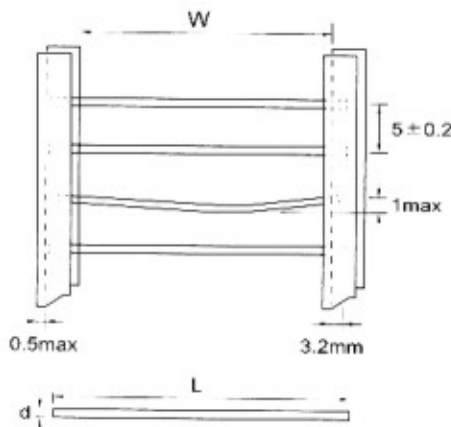
### 訂貨方式 HOW TO ORDER

| Z          | 1/4W                 | T52                          |
|------------|----------------------|------------------------------|
| 種類<br>Type | 額定功率<br>Power Rating | 形狀 / 包裝方式<br>Form/ Packaging |
|            | 1/6W 0.16W(S)        | S Bulk (Straight)            |
|            | 1/4W 0.25W(S)        | Txx (26.52mm width taping)   |
|            |                      | T/R Tape on reel packing     |
|            |                      | U/T Radial taping            |

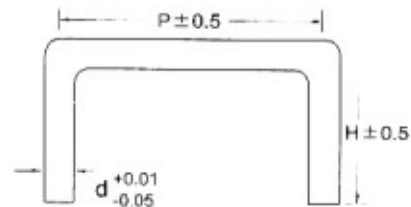
## 跳線 JUMPER WIRES

### 形狀 STYLE

Tape Type



M-Form



### 尺寸 DIMENSIONS

| 形名<br>Type | 尺寸 Dimensions (mm) |     |                                       |     |             |
|------------|--------------------|-----|---------------------------------------|-----|-------------|
|            | W±1                | L±1 | d <sup>+0.02</sup> / <sub>-0.05</sub> | H   | P           |
| JW05       | 52                 | 26  | 61.5                                  | 0.5 | 3~10 2.5~40 |
| JW06       | 52                 | 26  | 61.5                                  | 0.6 | 3~10 2.5~40 |
| JW07       | 52                 | 26  | 61.5                                  | 0.7 | 3~10 2.5~40 |
| JW08       | 52                 | 26  | 61.5                                  | 0.8 | 3~10 2.5~40 |

### 訂貨方式 HOW TO ORDER

| JW         | 06                | T52                             |
|------------|-------------------|---------------------------------|
| 種類<br>Type | 導線尺寸<br>Lead wire | 形狀 / 包裝方式<br>Form/ Packaging    |
|            | 05                | S Bulk (Straight)               |
|            | 06                | Txx (26.52mm width taping)      |
|            | 07                | T/R Tape on reel packing        |
|            | 08                | M 5×10 Bulk M-Form series (H×P) |