

### 製品介紹 INTRODUCTION

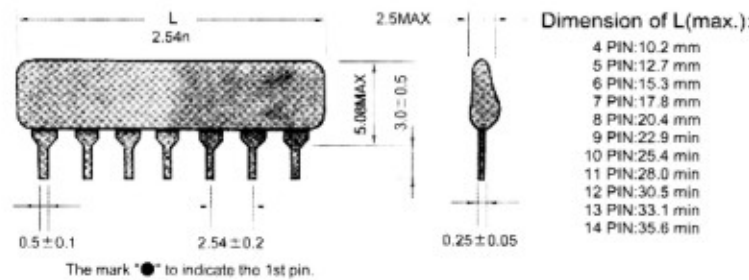
RA 厚膜排列電阻器具有高信賴性、高穩定性及價格便宜等特性，廣泛應用於各種電子機器/設備。

RA Thick film resistor networks, is with the features of high reliability, stability, and miniature package. It is applied for various electronic and electrical equipments.

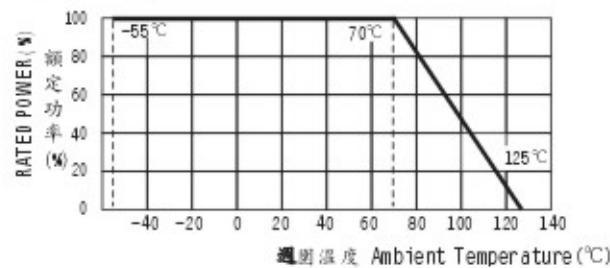
### 特徵 FEATURES

- 小型化高密度包裝  
Minature, high density package
- 高信賴性 High reliability
- 高穩定性 High stability

### 形狀及尺寸 STYLE & DIMENSIONS



### 功率曲線 DERATING CURVE



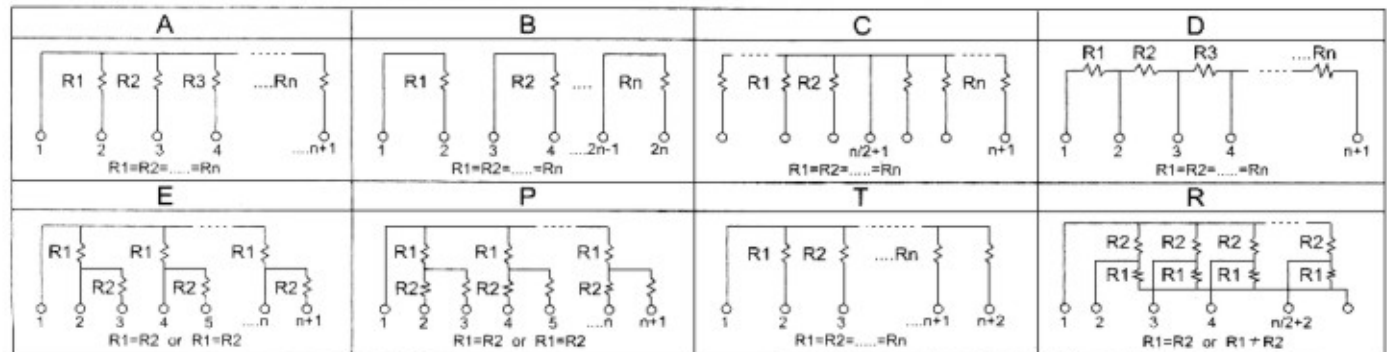
### 特性 CHARACTERISTICS

試驗項目 Test Items	規格值 Specified Value
溫度係數 Temp. Coefficient of resistance	± 200PPM/°C for 50Ω~1mΩ ± 250PPM/°C for < 50Ω or > 1mΩ
短時間過負荷 Short time overload	± (0.05%+0.1Ω)
耐電壓 200V A.C 1min. Dielectric withstanding voltage	無損壞的異狀 No evidence of damage
絕緣抵抗 100V D.C 1min. Insulation resistance	> 10 <sup>11</sup> Ω
端子強度 Terminal strength	± (0.5%+0.1Ω)
耐濕負荷 Moisture load life	± (3%+0.1Ω)
壽命實驗 (定格負荷) 70°C Load life at 70°C	± (3%+0.1Ω)
溫度循環 Temperature cycling heat	± (0.5%+0.1Ω)
焊錫耐熱性 Resistance to soldering heat	± (0.5%+0.1Ω)
焊錫附著性 Solderability	> 95%
耐溶劑性 Resistance to solvent	無損壞的異狀 No evidence of damage

### 規格 RATING

額定電力 Power Rating	最高工作電壓 Max. Working Voltage	最高過負荷電壓 Max. Overload Voltage	耐電壓 Dielectric Withstanding Voltage	電阻值範圍 Resistance Range
B type: 0.2W Others: 0.125W	250V	400V	300V	R type: 100Ω~10KΩ Others: 10Ω~1MΩ

### 回路結構 CIRCUIT STRUCTURE



### 訂貨方式 HOW TO ORDER

RA	A	08	J	10R
種類 Type	回路結構 Circuit Construction	端子腳數 Number of pins	電阻值容差 Resistance Tolerance	公稱電阻值 Nominal Resistance
	A style E style B style P style C style T style D style R style	04 ~ 14PIN	F ±1% G ±2% J ±5%	3-Digit: E-24, 12 Series e.g. 12R=12Ω 1K2=1.2KΩ 1K=1MΩ