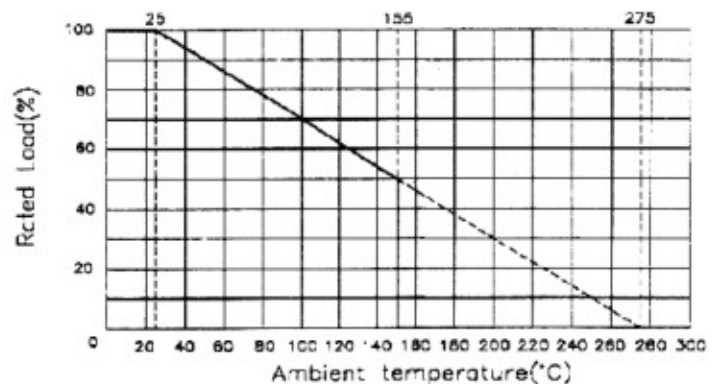
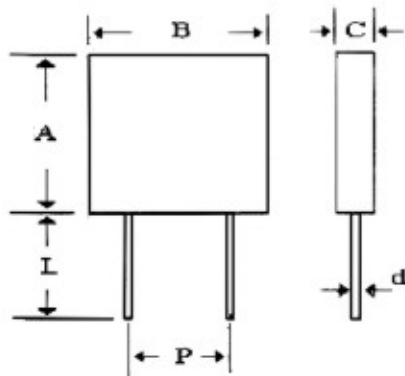


(NON - INDUCTIVE)



| Rated Power | Resistance Range, (Ω) | Dimensions : mm | | | | | |
|-------------|--------------------------------|-----------------|--------------|---------------|--------------|-----------|-----|
| | | A | B | C | $P \pm 1$ | L | d |
| 2W | 0.01 Ω - 0.8 Ω | 8 ± 1.0 | 13 ± 1.0 | 4.5 ± 1.0 | 9 ± 1.0 | 7 ± 1 | 0.6 |
| 3W | 0.01 Ω - 0.8 Ω | 13 ± 1.0 | 14 ± 1.0 | 5 ± 1.0 | | 7 ± 1 | 0.6 |
| 5W | 0.01 Ω - 6 Ω | 18 ± 1.0 | 14 ± 1.0 | 5 ± 1.0 | | 7 ± 1 | 0.8 |
| 7W | 0.01 Ω - 6.2 Ω | 18 ± 1.0 | 26 ± 1.0 | 5 ± 1.0 | 9 ± 1.0 | 7 ± 1 | 0.8 |
| 10W | 0.01 Ω - 6.2 Ω | 20 ± 1.0 | 26 ± 1.0 | 5 ± 1.0 | 20 ± 1.0 | 7 ± 1 | 0.8 |

| ITEM | SPECIFICATION | REMARKS |
|----------------------------|------------------------------------|---|
| Temperature coefficient | ± 350 ppm / $^{\circ}\text{C}$ | |
| Short time overload | $\pm 2\%$ | 6.25 times the rated power for 5 seconds |
| Voltage withstanding | $\pm 2\%$ | 500V for one minute |
| Wet load life | $\pm 5\%$ | 40 $^{\circ}\text{C}$, 95%RH for 500 hours |
| High temperature load life | $\pm 5\%$ | 70 $^{\circ}\text{C}$ for 1000 hours |
| Flameproof | APSS | |
| Tolerance | $\pm 5\%$, $\pm 10\%$ | |

TOLERANCE : $\pm 5\%$, $\pm 10\%$