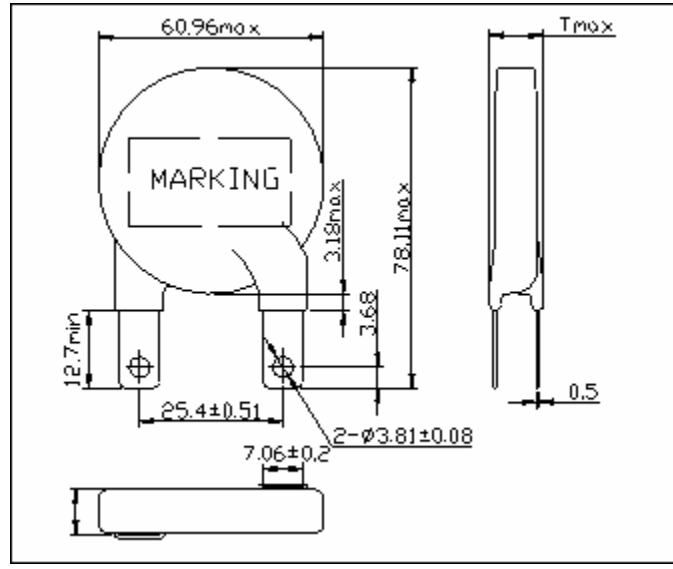




NON-FLAMMABLE COATED MOV5 53D
SPECIFICATION

Model Number	Maximum Allowable Voltage		Varistor Voltage	Clamping Voltage (Max.)		Maximum Peak Current (8/20 μ s)		Maximum Energy (JOULE)	Typical Capacitance (Reference)
	ACrms (V)	DC (V)		V1mA (V)	VC (V)	IP (A)	1 Time		
			(A)				10/1000 μ s	@1KHZ (pf)	
53D201K	130	170	200(185-225)	340	500	70000	50000	490	15000
53D241K	150	200	240(216-264)	395	500	70000	50000	570	12500
53D271K	175	225	270(243-297)	455	500	70000	50000	630	11000
53D331K	210	275	330(297-363)	550	500	70000	50000	680	9000
53D361K	230	300	360(324-396)	595	500	70000	50000	730	8500
53D391K	250	320	390(351-429)	650	500	70000	50000	880	7500
53D431K	275	350	430(387-473)	710	500	70000	50000	950	7000
53D471K	300	385	470(423-517)	775	500	70000	50000	1000	6500
53D511K	320	415	510(459-561)	845	500	70000	50000	1100	6000
53D621K	385	505	620(558-682)	1025	500	70000	50000	1300	5000
53D681K	420	560	680(612-748)	1120	500	70000	50000	1500	4500
53D751K	460	615	750(675-825)	1240	500	70000	50000	1600	4000
53D781K	485	640	780(702-858)	1290	500	70000	50000	1650	3900
53D821K	510	670	820(738-902)	1355	500	70000	50000	1800	3700
53D911K	550	745	910(819-1001)	1500	500	70000	50000	2000	3300
53D951K	575	765	950(855-1045)	1570	500	70000	50000	2100	3200
53D102K	625	825	1000(900-1100)	1650	500	70000	50000	2200	3000
53D112K	680	895	1100(990-1210)	1815	500	70000	50000	2500	2700
53D122K	750	970	1200(1062-1300)	2100	500	70000	50000	2600	2500
53D142K	880	1150	1400(1245-1520)	2290	500	70000	50000	3200	2400
53D162K	1000	1200	1600(1414-1728)	2700	500	70000	50000	3500	2100



Electronic Alliancewww.eaa.net.au

Part No.	T _{max.}
53D201K	6.3
53D241K	6.5
53D271K	6.7
53D331K	7.0
53D361K	7.2
53D391K	7.4
53D431K	7.6
53D471K	7.9
53D511K	8.1
53D621K	8.8
53D681K	9.1
53D751K	9.5
53D781K	9.7
53D821K	9.9
53D911K	10.5
53D951K	10.9
53D102K	11.3
53D112K	11.9

Unit:mm