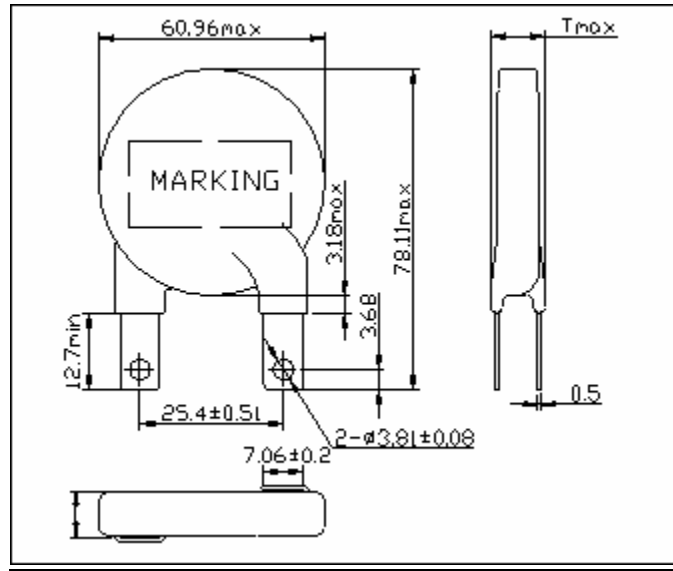




**EPOXY COATING MOVS 53D**  
**SPECIFICATION**

| Model Number<br>53mm | Maximum Allowable Voltage |           | Varistor Voltage<br>V1mA<br>(V) | Clamping Voltage<br>(Max.) |           | Maximum Peak Current<br>(8/20μs) |         | Maximum Energy<br>(JOULE)<br>10/1000<br>μs | Typical Capacitance<br>(Reference)<br>@1KHZ<br>(pf) |
|----------------------|---------------------------|-----------|---------------------------------|----------------------------|-----------|----------------------------------|---------|--|---|
|                      | Acrms<br>(V)              | DC<br>(V) |                                 | VC<br>(V)                  | IP<br>(A) | 1 Time                           | 2 Times |  |   |
|                      |                           |           | (A)                             |                            |           |                                  |         |  |   |
| 53D201K              | 130                       | 170       | 200(185-225)                    | 340                        | 500       | 70000                            | 50000   | 490  | 15000   |
| 53D241K              | 150                       | 200       | 240(216-264)                    | 395                        | 500       | 70000                            | 50000   | 570  | 12500   |
| 53D271K              | 175                       | 225       | 270(243-297)                    | 455                        | 500       | 70000                            | 50000   | 630  | 11000   |
| 53D331K              | 210                       | 275       | 330(297-363)                    | 550                        | 500       | 70000                            | 50000   | 680  | 9000  |
| 53D361K              | 230                       | 300       | 360(324-396)                    | 595                        | 500       | 70000                            | 50000   | 730  | 8500  |
| 53D391K              | 250                       | 320       | 390(351-429)                    | 650                        | 500       | 70000                            | 50000   | 880  | 7500  |
| 53D431K              | 275                       | 350       | 430(387-473)                    | 710                        | 500       | 70000                            | 50000   | 950  | 7000  |
| 53D471K              | 300                       | 385       | 470(423-517)                    | 775                        | 500       | 70000                            | 50000   | 1000                                       | 6500  |
| 53D511K              | 320                       | 415       | 510(459-561)                    | 845                        | 500       | 70000                            | 50000   | 1100                                       | 6000  |
| 53D621K              | 385                       | 505       | 620(558-682)                    | 1025                       | 500       | 70000                            | 50000   | 1300                                       | 5000  |
| 53D681K              | 420                       | 560       | 680(612-748)                    | 1120                       | 500       | 70000                            | 50000   | 1500                                       | 4500  |
| 53D751K              | 460                       | 615       | 750(675-825)                    | 1240                       | 500       | 70000                            | 50000   | 1600                                       | 4000  |
| 53D781K              | 485                       | 640       | 780(702-858)                    | 1290                       | 500       | 70000                            | 50000   | 1650                                       | 3900  |
| 53D821K              | 510                       | 670       | 820(738-902)                    | 1355                       | 500       | 70000                            | 50000   | 1800                                       | 3700  |
| 53D911K              | 550                       | 745       | 910(819-1001)                   | 1500                       | 500       | 70000                            | 50000   | 2000                                       | 3300  |
| 53D951K              | 575                       | 765       | 950(855-1045)                   | 1570                       | 500       | 70000                            | 50000   | 2100                                       | 3200  |
| 53D102K              | 625                       | 825       | 1000(900-1100)                  | 1650                       | 500       | 70000                            | 50000   | 2200                                       | 3000  |
| 53D112K              | 680                       | 895       | 1100(990-1210)                  | 1815                       | 500       | 70000                            | 50000   | 2500                                       | 2700  |
| 53D122K              | 750                       | 970       | 1200(1062-1300)                 | 2100                       | 500       | 70000                            | 50000   | 2600                                       | 2500  |
| 53D142K              | 880                       | 1150      | 1400(1245-1520)                 | 2290                       | 500       | 70000                            | 50000   | 3200                                       | 2400  |
| 53D162K              | 1000                      | 1200      | 1600(1414-1728)                 | 2700                       | 500       | 70000                            | 50000   | 3500                                       | 2100  |



**Electronic Alliance**[www.eaa.net.au](http://www.eaa.net.au)

| Part No. | T <sub>max.</sub> |
|----------|-------------------|
| 53D201K  | 6.3               |
| 53D241K  | 6.5               |
| 53D271K  | 6.7               |
| 53D331K  | 7.0               |
| 53D361K  | 7.2               |
| 53D391K  | 7.4               |
| 53D431K  | 7.6               |
| 53D471K  | 7.9               |
| 53D511K  | 8.1               |
| 53D621K  | 8.8               |
| 53D681K  | 9.1               |
| 53D751K  | 9.5               |
| 53D781K  | 9.7               |
| 53D821K  | 9.9               |
| 53D911K  | 10.5              |
| 53D951K  | 10.9              |
| 53D102K  | 11.3              |
| 53D112K  | 11.9              |

Unit:mm