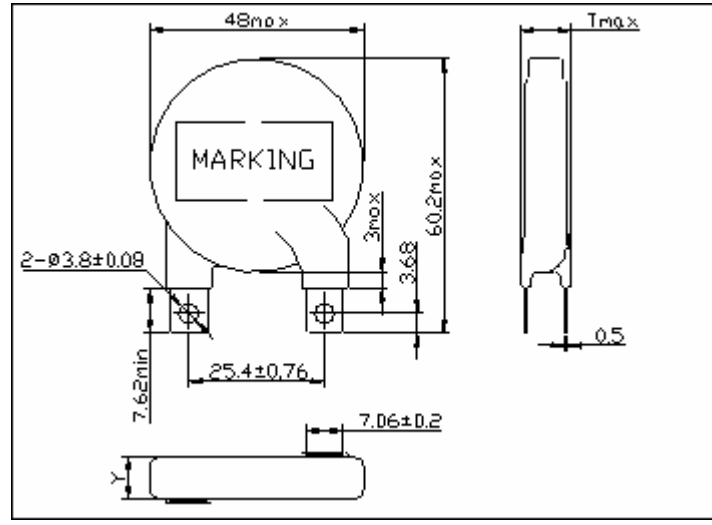




**EPOXY COATING MOVs 40D**  
**SPECIFICATION**

Model Number 40mm	Maximum Allowable Voltage		Varistor Voltage V1mA (V)	Clamping Voltage (Max.)		Maximum Peak Current (8/20μs)		Maximum Energy (JOULE) 10/1000 μs	Typical Capacitance (Reference) @1KHZ (pf)
	Acrms (V)	DC (V)		VC (V)	IP (A)	1 Time	2 Times		
			(A)						
40D201K	130	170	200(185-225)	340	250	40000	25000	310	8400
40D241K	150	200	240(216-264)	395	250	40000	25000	360	8000
40D271K	175	225	270(243-297)	455	250	40000	25000	390	7600
40D331K	210	275	330(297-363)	550	250	40000	25000	460	6700
40D361K	230	300	360(324-396)	595	250	40000	25000	475	6200
40D391K	250	320	390(351-429)	650	250	40000	25000	490	5100
40D431K	275	350	430(387-473)	710	250	40000	25000	550	4900
40D471K	300	385	470(423-517)	775	250	40000	25000	600	4300
40D511K	320	415	510(459-561)	845	250	40000	25000	640	4200
40D621K	385	505	620(558-682)	1025	250	40000	25000	720	3800
40D681K	420	560	680(612-748)	1120	250	40000	25000	750	3500
40D751K	460	615	750(675-825)	1240	250	40000	25000	780	3200
40D781K	485	640	780(702-858)	1290	250	40000	25000	820	3000
40D821K	510	670	820(738-902)	1355	250	40000	25000	900	2900
40D911K	550	745	910(819-1001)	1500	250	40000	25000	960	2200
40D951K	575	765	950(855-1045)	1570	250	40000	25000	1000	2000
40D102K	625	825	1000(900-1100)	1650	250	40000	25000	1055	1800
40D112K	680	895	1100(990-1210)	1815	250	40000	25000	1155	1600
40D122K	750	970	1200(1062-1300)	2100	250	40000	25000	1200	1500
40D142K	880	1150	1400(1245-1520)	2290	250	40000	25000	1300	1400
40D162K	1000	1200	1600(1414-1728)	2700	250	40000	25000	1400	1300



**Electronic Alliance**[www.eaa.net.au](http://www.eaa.net.au)

Part No.	T <sub>max.</sub>
40D201K	6.2
40D241K	6.4
40D271K	6.6
40D331K	6.9
40D361K	7.1
40D391K	7.3
40D431K	7.5
40D471K	7.8
40D511K	8.0
40D621K	8.7
40D681K	9.0
40D751K	9.4
40D781K	9.6
40D821K	9.8
40D911K	10.4
40D951K	10.8
40D102K	11.2
40D112K	11.8

Unit:mm