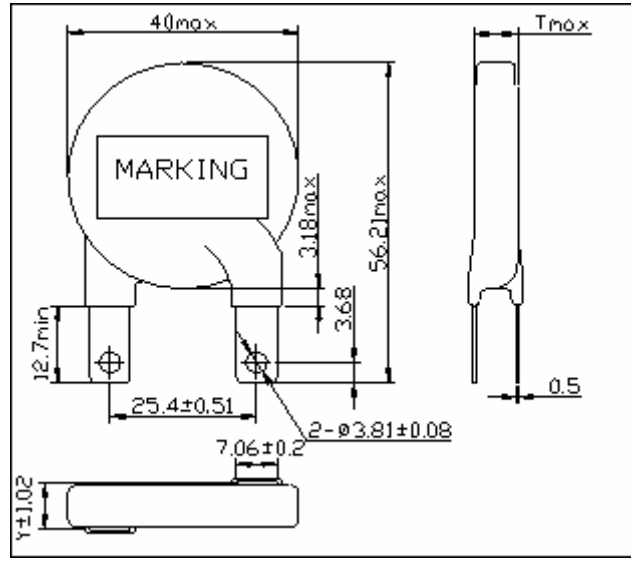




EPOXY COATING MOVS 32D
SPECIFICATION

Model Number 32mm	Maximum Allowable Voltage		Varistor Voltage V1mA (V)	Clamping Voltage (Max.)		Maximum Peak Current (8/20μs)		Maximum Energy (JOULE) 10/1000 μs	Typical Capacitance (Reference) @1KHZ (pf)
	Acrms (V)	DC (V)		VC (V)	IP (A)	1 Time	2 Times		
			(A)						
32D201K	130	170	200(185-225)	340	200	25000	20000	210	5200
32D241K	150	200	240(216-264)	395	200	25000	20000	240	5100
32D271K	175	225	270(243-297)	455	200	25000	20000	255	4800
32D331K	210	275	330(297-363)	550	200	25000	20000	300	4300
32D361K	230	300	360(324-396)	595	200	25000	20000	315	3900
32D391K	250	320	390(351-429)	650	200	25000	20000	330	3200
32D431K	275	350	430(387-473)	710	200	25000	20000	360	3100
32D471K	300	385	470(423-517)	775	200	25000	20000	380	2800
32D511K	320	415	510(459-561)	845	200	25000	20000	430	2700
32D621K	385	505	620(558-682)	1025	200	25000	20000	470	2400
32D681K	420	560	680(612-748)	1120	200	25000	20000	495	2200
32D751K	460	615	750(675-825)	1240	200	25000	20000	520	2000
32D781K	485	640	780(702-858)	1290	200	25000	20000	550	1900
32D821K	510	670	820(738-902)	1355	200	25000	20000	580	1800
32D911K	550	745	910(819-1001)	1500	200	25000	20000	620	1300
32D951K	575	765	950(855-1045)	1570	200	25000	20000	650	1200
32D102K	625	825	1000(900-1100)	1650	200	25000	20000	685	1100
32D112K	680	895	1100(990-1210)	1815	200	25000	20000	750	1000
32D122K	750	970	1200(1062-1300)	2100	200	25000	20000	800	800
32D142K	880	1150	1400(1245-1520)	2290	200	25000	20000	850	680
32D162K	1000	1200	1600(1414-1728)	2700	200	25000	20000	900	600



Electronic Alliancewww.eaa.net.au

Part No.	T _{max.}
32D201K	6.2
32D241K	6.4
32D271K	6.6
32D331K	6.9
32D361K	7.1
32D391K	7.3
32D431K	7.5
32D471K	7.8
32D511K	8.0
32D621K	8.7
32D681K	9.0
32D751K	9.4
32D781K	9.6
32D821K	9.8
32D911K	10.4
32D951K	10.8
32D102K	11.2
32D112K	11.8

Unit:mm