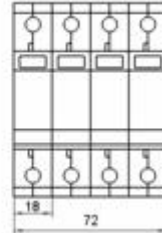
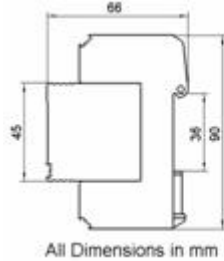
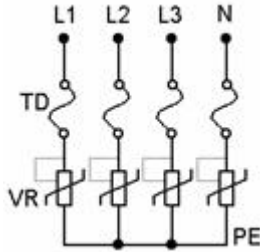


Three Phase SPDs HIT-DT25 Series SPECIFICATION

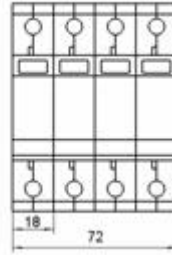
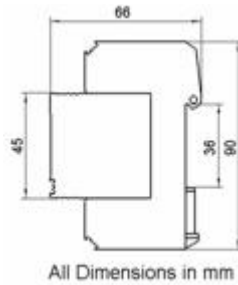
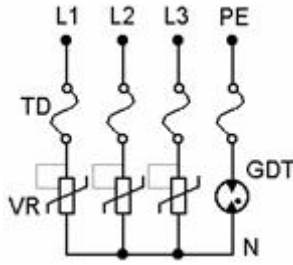
1. DT25/xxx – 4V Series



Technical Data

Type		HIT- DT25/xxx-4V-S									
		75	150	175	275	300	320	385	440	550	600
In accordance with		IEC61643-1:2001; EN61643-1 2002; UL1449 ed.2									
Category IEC/VDE		□ / C									
Max. continuous operating voltage (AC/DC)		75/100	150/200	175/225	275/300	300/385	320/420	385/505	440/585	550/745	600/800
Nominal discharge current(8/20) In	L – N	10KA	10KA	10KA	10KA	10KA	10KA	10KA	10KA	10KA	10KA
	N-PE	10KA	10KA	10KA	10KA	10KA	10KA	10KA	10KA	10KA	10KA
Max. discharge current(8/20) I _{max}	L - N	25KA									
	N - PE	25KA									
Voltage protection level	@ In	0.4KV	0.8KV	0.8KV	1.2KV	1.3KV	1.4KV	1.8KV	2.0KV	2.5KV	2.6KV
	@ 3KA	0.25KV	0.5KV	0.6KV	0.9KV	1.0KV	1.1KV	1.3KV	1.5KV	2.0KV	2.1KV
Response time	L - N	≤25 ns									
	N - PE	≤25 ns									
Follow current	L - N	No									
	N - PE	No									
Residual current at U _c	L - N	≤500μA									
	N - PE	≤500μA									
Backup fuse(only required if not already provided in mains)		100A gL/gG									
Operating temperature range		- 40°C ... + 80°C									
Cross-section of connection wire		Single-strand 35mm ² ; multi-strand 25mm ²									
Mounting		35mm DIN-rail in accordance with EN 50022/DIN46277-3									
Enclosure material		thermoplastic; extinguishing degree UL94 V-0									
Degree of protection		IP20									
Installation width		4 modules, DIN 43880									
Thermal disconnect		Internal green – normal red - failure									
Remote alarm contact		Optional									

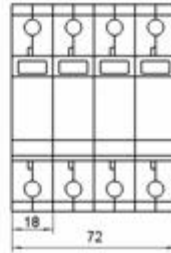
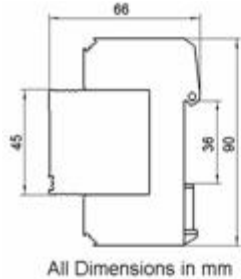
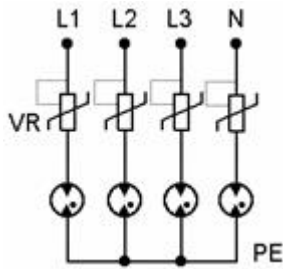
2. DT25 / xxx – (3V + T) Series



Technical Data

Type		HIT- DT25/xxx-(3V+T)									
		75	150	175	275	300	320	385	440	550	600
In accordance with		IEC61643-1:2001; EN61643-1 2002; UL1449 ed.2									
Category IEC/VDE		□ / C									
Max. continuous operating voltage (AC/DC)	L – N (AC/DC)	75/100	150/200	175/225	275/300	300/385	320/420	385/505	440/585	550/745	600/800
	N – PE Uc	65	150	150	255	255	255	255	350	440	440
Nominal discharge current(8/20) In	L – N	10KA	10KA	10KA	10KA	10KA	10KA	10KA	10KA	10KA	10KA
	N-PE	25KA	25KA	25KA	25KA	25KA	25KA	25KA	25KA	25KA	25KA
Max. discharge current(8/20) I _{max}	L - N	25KA									
	N - PE	30KA									
Voltage protection level	L – N @In	0.4KV	0.8KV	0.8KV	1.2KV	1.3KV	1.4KV	1.8KV	2.0KV	2.5KV	2.6KV
	L-N @3KA	0.25KV	0.5KV	0.6KV	0.9KV	1.0KV	1.1KV	1.3KV	1.5KV	2.0KV	2.1KV
	N-PE (1.2/50)	0.5KV	0.8KV	0.8KV	1.0KV	1.0KV	1.0KV	1.0KV	1.2KV	1.3KV	1.3KV
Response time	L - N	≤25 ns									
	N - PE	≤100 ns									
Follow current	L - N	No									
	N - PE	Yes									
Residual current at Uc	L - N	≤500μA									
	N - PE	No									
Backup fuse(only required if not already provided in mains)		100A gL/gG									
Operating temperature range		- 40°C ... + 80°C									
Cross-section of connection wire		Single-strand 35mm ² ; multi-strand 25mm ²									
Mounting		35mm DIN-rail in accordance with EN 50022/DIN46277-3									
Enclosure material		thermoplastic; extinguishing degree UL94 V-0									
Degree of protection		IP20									
Installation width		4 modules, DIN 43880									
Thermal disconnect		Internal green – normal red - failure									
Remote alarm contact		Optional									

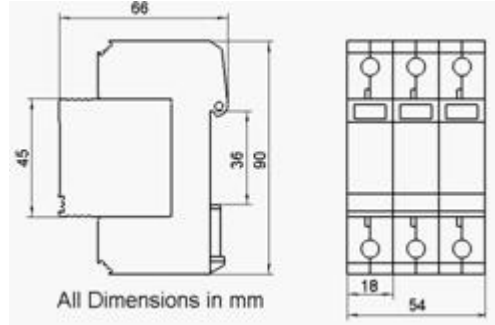
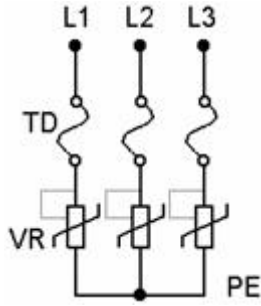
3. DT25 / xxx – 4VT Series



Technical Data

Type		HIT- DT25 / xxx- 4VT									
		75	150	175	275	300	320	385	440	550	600
In accordance with		IEC61643-1:2001; EN61643-1 2002; UL1449 ed.2									
Category IEC/VDE		□ / C									
Max. continuous operating voltage (AC/DC)		75/100	150/200	175/225	275/300	300/385	320/420	385/505	440/585	550/745	600/800
Nominal discharge current(8/20) In	L – N	10KA	10KA	10KA	10KA	10KA	10KA	10KA	10KA	10KA	10KA
	N-PE	10KA	10KA	10KA	10KA	10KA	10KA	10KA	10KA	10KA	10KA
Max. discharge current(8/20) I _{max}	L - N	25KA									
	N - PE	25KA									
Voltage protection level	@ In	0.3KV	0.6KV	0.6KV	1.0KV	1.0KV	1.0KV	1.0KV	1.4KV	2.0KV	2.0KV
	@ 3KA	0.2KV	0.5KV	0.5KV	0.8KV	0.8KV	0.8KV	0.8KV	1.2KV	1.6KV	1.6KV
Response time	L - N	≤100 ns									
	N - PE	≤100 ns									
Follow current	L - N	No									
	N - PE	No									
Residual current at U _c	L - N	No									
	N - PE	No									
Backup fuse(only required if not already provided in mains)		100A gL/gG									
Operating temperature range		- 40°C ... + 80°C									
Cross-section of connection wire		Single-strand 35mm ² ; multi-strand 25mm ²									
Mounting		35mm DIN-rail in accordance with EN 50022/DIN46277-3									
Enclosure material		thermoplastic; extinguishing degree UL94 V-0									
Degree of protection		IP20									
Installation width		4 modules, DIN 43880									
Thermal disconnect		Internal green – normal red - failure									
Remote alarm contact		Optional									

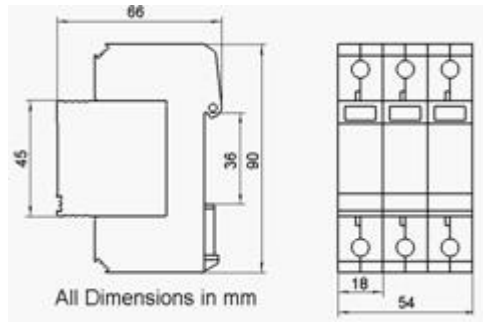
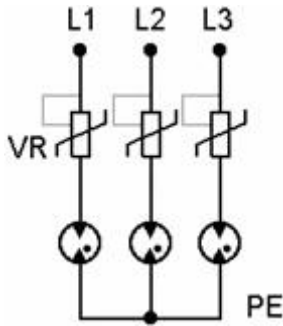
4. DT25 / xxx – 3V Series



Technical Data

Type		HIT- DT25/xxx-3V-S									
		75	150	175	275	300	320	385	440	550	600
In accordance with		IEC61643-1:2001; EN61643-1 2002; UL1449 ed.2									
Category IEC/VDE		□ / C									
Max. continuous operating voltage (AC/DC)		75/100	150/200	175/225	275/300	300/385	320/420	385/505	440/585	550/745	600/800
Nominal discharge current(8/20) In (L-PE)		10KA	10KA	10KA	10KA	10KA	10KA	10KA	10KA	10KA	10KA
Max. discharge current(8/20) I _{max}		25KA									
Voltage protection level	@ In	0.4KV	0.8KV	0.8KV	1.2KV	1.3KV	1.4KV	1.8KV	2.0KV	2.5KV	2.6KV
	@ 3KA	0.25KV	0.5KV	0.6KV	0.9KV	1.0KV	1.1KV	1.3KV	1.5KV	2.0KV	2.1KV
Response time		≤25 ns									
Follow current		No									
Residual current at U _c		≤500μA									
Backup fuse(only required if not already provided in mains)		100A gL/gG									
Operating temperature range		- 40°C ... + 80°C									
Cross-section of connection wire		Single-strand 35mm ² ; multi-strand 25mm ²									
Mounting		35mm DIN-rail in accordance with EN 50022/DIN46277-3									
Enclosure material		thermoplastic; extinguishing degree UL94 V-0									
Degree of protection		IP20									
Installation width		3 modules, DIN 43880									
Thermal disconnecter		Internal green – normal red - failure									
Remote alarm contact		Optional									

5. DT25 / xxx – 3VT Series



Technical Data

Type	HIT- DT25/xxx-3VT-S										
	75	150	175	275	300	320	385	440	550	600	
In accordance with	IEC61643-1:2001; EN61643-1 2002; UL1449 ed.2										
Category IEC/VDE	□/ C										
Max. continuous operating voltage (AC/DC)	75/100	150/200	175/225	275/300	300/385	320/420	385/505	440/585	550/745	600/800	
Nominal discharge current(8/20) In (L-PE)	10KA	10KA	10KA	10KA	10KA	10KA	10KA	10KA	10KA	10KA	
Max. discharge current(8/20) I _{max}	25KA										
Voltage protection level	@ In	0.3KV	0.6KV	0.6KV	1.0KV	1.0KV	1.0KV	1.0KV	1.4KV	2.0KV	2.0KV
	@ 3KA	0.2KV	0.5KV	0.5KV	0.8KV	0.8KV	0.8KV	0.8KV	1.2KV	1.6KV	1.6KV
Response time	≤100 ns										
Follow current	No										
Residual current at U _c	No										
Backup fuse(only required if not already provided in mains)	100A gL/gG										
Operating temperature range	- 40°C ... + 80°C										
Cross-section of connection wire	Single-strand 35mm ² ; multi-strand 25mm ²										
Mounting	35mm DIN-rail in accordance with EN 50022/DIN46277-3										
Enclosure material	thermoplastic; extinguishing degree UL94 V-0										
Degree of protection	IP20										
Installation width	3 modules, DIN 43880										
Thermal disconnecter	Internal green – normal red - failure										
Remote alarm contact	Optional										