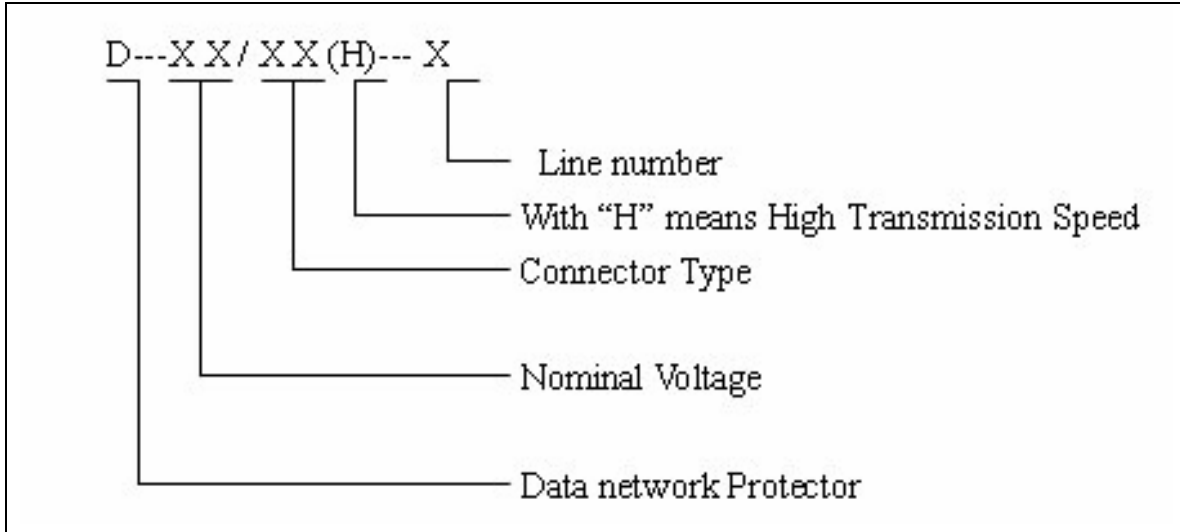
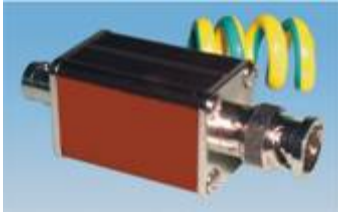


Data Network Protector Series SPECIFICATION



Models Available

No.	Part No.	Line number	Connector type
1	D-05/BNC	1	Coaxial
2	D-24/BNC	1	
3	D-12/F	1	
4	D-48/RJ11-2	2	RJ11
5	D-110/RJ11-2	2	
6	D-110/RJ11-4	4	
7	D-5/RJ45-2	2	RJ45
8	D-180/RJ45-2	2	
9	D-180/RJ45-4	4	
10	D-5/RJ45H-4	4	
11	D-5/RJ45H-8	8	
12	D-6/DB9-4	4	DB
13	D-6/DB9-9	9	
14	D-15/DB25-25	25	
15	D-12/C-2	2	Terminal Block
16	D-24/C-2	2	
17	D-48/C-2	2	

Electronic Alliancewww.eaa.net.au

Model No.		D-05/BNC	D-24/BNC
Nominal voltage (V)	Un	5	24
Nominal Discharge current (8/20us,KA)	In	5	5
Max. Discharge Current (8/20us,KA)	Imax	10	10
Clamping Voltage (10/700us,V)	Core-shield	≤30	≤60
	Shield-Ground	≤300	
Residual Voltage line/ground (1KV/μs,V)	Up	≤600	
Transmission Speed (bps)	Vs	10Mbps	
Insertion loss	dB	≤0.5	
Response time	Ta	1ns	
Type of Connection	IN	Female	
	OUT	Male	
Dimensions	mm	42 X 25 X 25	
Environment Temperature(°C)		-25~+70	

Electronic Alliancewww.eaa.net.au

Model No.		D-12/F
Nominal voltage (V)	Un	12
Nominal Discharge current (8/20us,KA)	In	5
Max. Discharge Current (8/20us,KA)	Imax	10
Clamping Voltage (10/700us,V)	Up	≤500
Transmission speed	Vs	885M bps
Impedance (Ω)		75Ω
Insertion loss	dB	≤0.2
Response time	Ta	25ns
Type of Connection	IN	Female
	OUT	Male
Dimensions	mm	42 X 25 X 25
Environment Temperature(°C)		-25~+70

Electronic Alliancewww.eaa.net.au

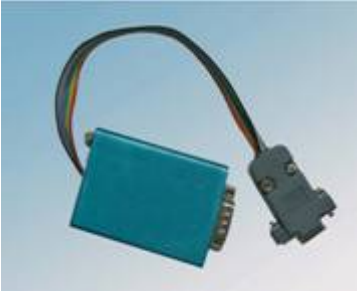
Model No.		D-48/RJ11-2	D-110/RJ11-2	D-110/RJ11-4
Nominal Voltage (V)	Un	48	110	
Max. Continuous Operating Voltage (V)	Uc	100	180	
Nominal Discharge Current (8/20us,KA)	In	5	5	
Max. Discharge Current (8/20us,KA)	Imax	10	10	
Clamping Voltage (10/700us,V)	Core-Shield	≤70	≤300	
	Shield-Ground	≤300	≤300	
Transmission Speed (bps)	Vs	10Mbps		
Insertion loss	dB	≤0.5		
Protected line numbers		3、4	3、4	3、4、2、5
Type of Connection	IN	RJ11 Female		
	OUT	RJ11 Female		
Dimensions	mm	85 X 25 X 25		
Environment Temperature (°C)		- 25~+70		

Electronic Alliancewww.eaa.net.au

Model No.		D-5/RJ45-2	D-180/RJ45-2	D-180/RJ45-4
Nominal Voltage (V)	Un	5	180	
Nominal Discharge Current (8/20us,KA)	In	5		
Max. Discharge Current (8/20us,KA)	Imax	10		
Clamping Voltage (10/700us,V)	Core-Shield	≤30	≤200	
	Shield-Ground	≤600		
Transmission Speed (bps)	Vs	10Mbps		
Insertion loss	dB	≤0.5		
Protected line numbers		4、5	4、5	3、6、4、5
Type of Connection	IN	RJ45 Female		
	OUT	RJ45 Female		
Dimensions	mm	85 X 25 X 25		
Environment Temperature (°C)		- 25~+70		

Electronic Alliancewww.eaa.net.au

Model No.		D-5/RJ45H-4	D-5/RJ45H-8
Nominal Voltage (V)	Un	5	
Nominal Discharge Current (8/20us,KA)	In	5	
Max. Discharge Current (8/20us,KA)	Imax	10	
Clamping Voltage (10/700us,V)	Core-Shield	≤40	
	Shield-Ground	≤100	
Transmission Speed (bps)	Vs	100Mbps	
Insertion loss	dB	≤0.5	
Protected line numbers		4、5	1~8
Type of Connection	IN	RJ45 Female	
	OUT	RJ45 Female	
Dimensions	mm	85 X 25 X 25	
Environment Temperature (°C)		- 25~+70	

Electronic Alliancewww.eaa.net.au

Model No.		D-6/DB9-4	D-6/DB9-9
Nominal Voltage (V)	Un	6	
Nominal Discharge Current (8/20us,KA)	In	3	
Max. Discharge Current (8/20us,KA)	Imax	5	
Clamping Voltage (10/700us,V)	Core-Shield	≤20	
	Shield-Ground	≤300	
Transmission Speed (bps)	Vs	2Mbps	
Insertion loss	dB	≤0.5	
Protected line number		1、 2、 3、 5	1~9
Type of Connection	IN	DB9 Female	
	OUT	DB9 Male	
Dimensions	mm	70 X 40 X 25	
Environment Temperature (°C)		- 25~+70	

Electronic Alliancewww.eaa.net.au

Model No.		D-15/DB25-25
Nominal voltage (V)	Un	15
Nominal Discharge Current (8/20us,KA)	In	3
Max. Discharge Current (8/20us,KA)	Imax	5
Clamping Voltage (10/700us,V)	Core-Shield	≤ 20
	Shield-Ground	≤ 300
Transmission Speed (bps)	Vs	2Mbps
Insertion loss	dB	≤ 0.5
Protected line number		1~25
Type of Connection	IN	DB25 Female
	OUT	DB25 Male
Dimensions	mm	70 X 60 X 25
Environment Temperature (°C)		- 25~+70

Electronic Alliancewww.eaa.net.au

Model No.		D-12/C-2	D-24/C-2	D-48/C-2
Nominal Voltage (V)	Un	12	24	48
Nominal Discharge Current (8/20us,KA)	In	5		
Max. Discharge Current (8/20us,KA)	I _{max}	8		
Clamping Voltage (10/700us,V)	Core-Ground	≤30	≤40	≤70
Transmission speed (bps)	V _s	2Mbps		
Insertion loss	dB	≤0.5		
Protected line		1 twisted-pair		
Type of Connection	IN	3.81 Terminal Block		
	OUT	3.81 Terminal Block		
Dimensions	mm	70 X 25 X 25		
Environment Temperature (°C)		- 25~+70		