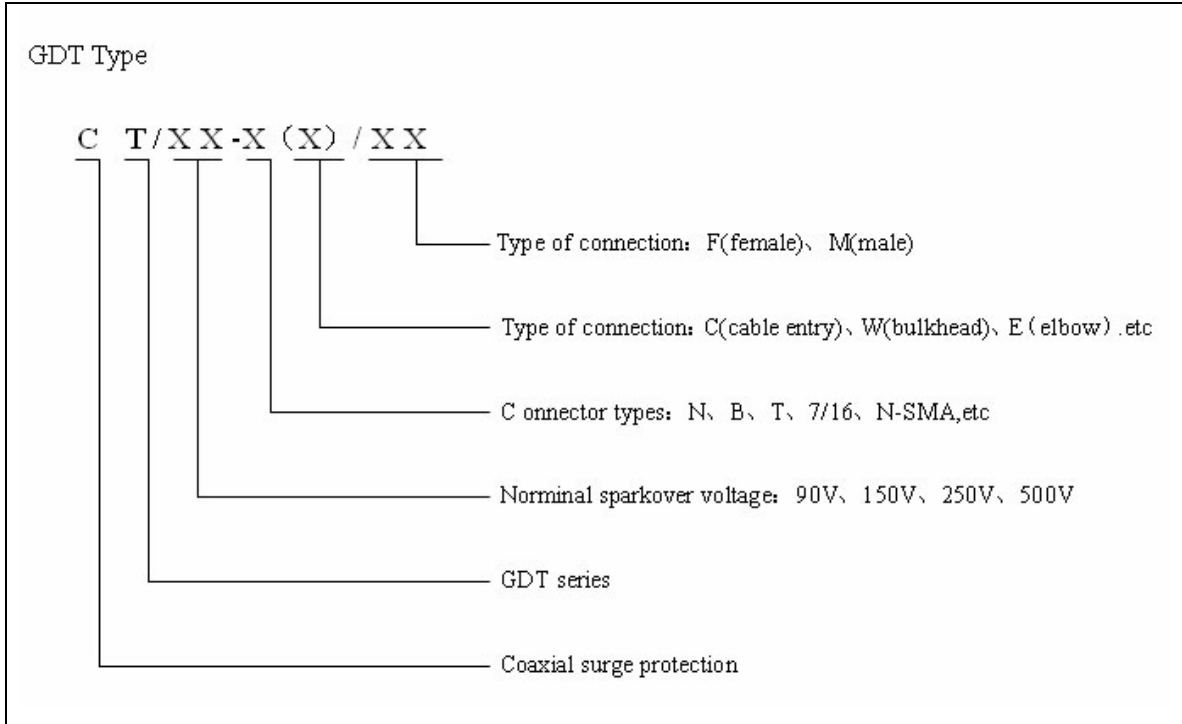


**Coaxial Antenna Protector CT Series SPECIFICATION**



**Models Available**

No	Type	(MHz) Frequency	(Ω) Impedance
1	CT/XX-B/FF	DC-2500	50
2	CT/XX-B/MF	DC-2500	50
3	CT/XX-B/FF75	DC-2500	75
4	CT/XX-B/MF75	DC-2500	75
5	CT/XX-T/FF	DC-2500	50
6	CT/XX-T/MF	DC-2500	50
7	CT/XX-T/FF75	DC-2500	75
8	CT/XX-T/MF75	DC-2500	75
9	CT/XX-F/FF75	DC-2000	75
10	CT/XX-F/MF75	DC-2000	75
11	CT/XX-N/FF	DC-2500	50
12	CT/XX-N/MF	DC-2500	50
13	CT/XX-NW/FF	DC-2500	50
14	CT/XX-NW/MF	DC-2500	50

**CT/XX-B**



Technical specifications:

Type	CT/XX-B/FF			CT/XX-B/MF		
	CT/90	CT/150	CT/250	CT/90	CT/150	CT/250
Norminal sparkover voltage(V )	90	150	250	90	150	250
Max. peak power (W)	25	70	190	25	70	190
Impedance ( $\Omega$ )	50			50		
Frequency range (MHz)	DC-2500			DC-2500		
Insertion losses(dB)	< 0.2			< 0.2		
VSWR	< 1.2			< 1.2		
Max. discharge current (8/20us,KA)	20			20		
Residual voltage (1KV/us,V)	700	700	750	700	700	750
Insulation ( $G\Omega$ )	> 10			> 10		
Operation temperature ( $^{\circ}C$ )	-40~+80			-40~+80		
Type of connection	BNC female/female			BNC male/female		

**CT/XX-B**



Technical specifications:

Type	CT/XX-B/FF75		CT/XX-B/MF75	
	CT/90	CT/250	CT/90	CT/250
Norminal sparkover voltage(V )	90	250	90	250
Max. peak power (W)	15	130	15	190
Impedance ( $\Omega$ )	75		75	
Frequency range (MHz)	DC-2500		DC-2500	
Insertion losses(dB)	< 0.15		< 0.15	
VSWR	< 1.2		< 1.2	
Max. discharge current (8/20us,KA)	20		20	
Residual voltage (1KV/us,V)	600		600	
Insulation ( $G\Omega$ )	> 10		> 10	
Operation temperature ( $^{\circ}C$ )	-40~+80		-40~+80	
Type of connection	BNC female/female		BNC male/female	

**CT/XX-T**



Technical specifications:

Type	CT/XX-T/FF			CT/XX-T/MF		
	CT/90	CT/150	CT/250	CT/90	CT/150	CT/250
Norminal sparkover voltage(V)	90	150	250	90	150	250
Max. peak power (W)	25	70	190	25	70	190
Impedance ( $\Omega$ )	50			50		
Frequency range (MHz)	DC-2500			DC-2500		
Insertion losses(dB)	< 0.15			< 0.15		
VSWR	< 1.2			< 1.2		
Max. discharge current (8/20us,KA)	20			20		
Residual voltage (1KV/us,V)	700	700	750	700	700	750
Insulation ( $G\Omega$ )	> 10			> 10		
Operation temperature ( $^{\circ}C$ )	-40~+80			-40~+80		
Type of connection	TNC female/female			TNC male/female		

**CT/XX-T**

Technical specifications:

Type	CT/XX-B/FF75		CT/XX-B/MF75	
	CT/90	CT/250	CT/90	CT/250
Norminal sparkover voltage(V )	90	250	90	250
Max. peak power (W)	15	130	15	190
Impedance ( $\Omega$ )	75		75	
Frequency range (MHz)	DC-2500		DC-2500	
Insertion losses(dB)	< 0.15		< 0.15	
VSWR	< 1.2		< 1.2	
Max. discharge current (8/20us,KA)	20		20	
Residual voltage (1KV/us,V)	700	750	600	750
Insulation ( $G\Omega$ )	> 10		> 10	
Operation temperature ( $^{\circ}C$ )	-40~+80		-40~+80	
Type of connection	TNC female/female		TNC male/female	

**CT/XX-F**



Technical specifications:

Type	CT/XX-F/FF75		CT/XX-F/MF75	
	CT/90	CT/250	CT/90	CT/250
Norminal sparkover voltage(V )	90	250	90	250
Max. peak power (W)	25	190	25	190
Impedance ( $\Omega$ )	75		75	
Frequency range (MHz)	DC-2000		DC-2000	
Insertion losses(dB)	< 0.5		< 0.5	
VSWR	< 1.3		< 1.3	
Max. discharge current (8/20us,KA)	20		20	
Residual voltage (1KV/us,V)	700	750	700	750
Insulation ( $G\Omega$ )	> 10		> 10	
Operation temperature ( $^{\circ}C$ )	-40~+80		-40~+80	
Type of connection	F female/female		F male/female	

## CT/XX-N



Technical specifications:

Type	CT/XX-N/FF			CT/XX-N/MF		
	CT/90	CT/150	CT/250	CT/90	CT/150	CT/250
Norminal sparkover voltage(V)	90	150	250	90	150	250
Max. peak power (W)	25	70	190	25	70	190
Impedance ( $\Omega$ )	50			50		
Frequency range (MHz)	DC-2500			DC-2500		
Insertion losses(dB)	< 0.15			< 0.15		
VSWR	< 1.2			< 1.2		
Max. discharge current (8/20us,KA)	20			20		
Residual voltage (1KV/us,V)	700	700	750	700	700	750
Insulation ( $G\Omega$ )	> 10			> 10		
Operation temperature ( $^{\circ}C$ )	-40~+80			-40~+80		
Type of connection	N female/female			N male/female		

## CT/XX-NW



Technical specifications:

Type	CT/XX-BW/FF			CT/XX-BW/MF		
	CT/90	CT/150	CT/250	CT/90	CT/150	CT/250
Norminal sparkover voltage(V )	90	150	250	90	150	250
Max. peak power (W)	25	70	190	25	70	190
Impedance ( $\Omega$ )	50			50		
Frequency range (MHz)	DC-2500			DC-2500		
Insertion losses(dB)	< 0.15			< 0.15		
VSWR	< 1.2			< 1.2		
Max. discharge current (8/20us,KA)	20			20		
Residual voltage (1KV/us,V)	700	700	750	700	700	750
Insulation ( $G\Omega$ )	> 10			> 10		
Operation temperature ( $^{\circ}C$ )	-40~+80			-40~+80		
Type of connection	N female/female			N male/female		